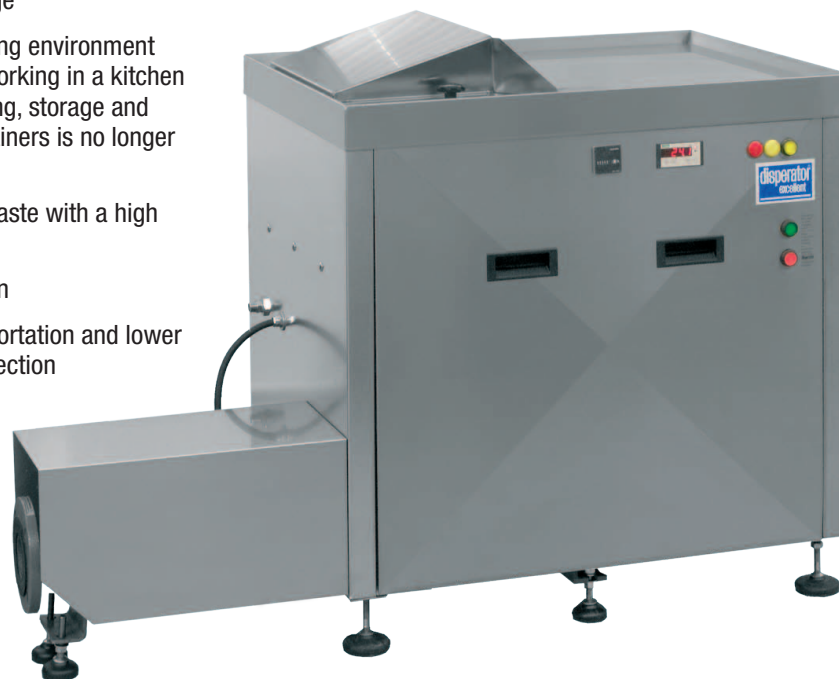




- Grinding and transportation of food waste to tank with or without the addition of minimal amounts of water
- Retains the energy content for decay and biogas production at a later stage
- Improved hygiene, working environment and ergonomics when working in a kitchen environment. The handling, storage and emptying of refuse containers is no longer necessary
- Rapid disposal of food waste with a high degree of reliability
- Easy to operate and clean
- Reduced need for transportation and lower costs for food waste collection



The Disperator food waste processor in the GTS-Series has been developed to meet the market's need for catering equipment for sorting at source and handling of food waste without using water as a means of transport. The system consists of two parts connected together with pipes; the food waste processor and a food waste holding tank.

The processor itself, with its associated grinder, pump and control units, is located in a stainless steel cabinet (EN 1.4301). The infeed has a labyrinth opening with contact protection, linked to a forced released limit switch for operator safety. The discharge area for food waste may be set either to the left or to the right of the infeed opening. The same is also true of the processor outlet.

Food waste can be supplied and fed continuously during operation. The ground food waste is pumped via pipes into a holding tank which is either located indoors or buried in the ground outdoors.

The food waste processor is pumping highly viscous food waste using minimal amounts of added water, thereby saving considerable space in the tank and reducing operating costs (by longer emptying intervals). This system is able to cope with having the processor and tank a long distance apart.

The holding tank is emptied using a slurry extraction vehicle and the contents are transported to a biogas plant.

The objective is to reduce quantities of refuse, transportation of refuse and our consumption of resources, and thereby to bring down costs and reduce our impact on the environment. Moreover, the energy content in the food waste is utilised for biogas production at a later stage.

The Disperator food waste processor in the GTS-Series is compliant with the safety provisions of the EU Machine Directive 2006/42/EC, the EMC Directive 2004/108/EC and the Low-voltage Directive 2006/95/EC.

For more information, see reverse

Disperator AB

Mälärvägen 9, SE-141 71 Segeltorp, Sweden
Tel. +46 (0) 8 724 01 60, Fax +46 (0) 8 724 60 70
info@disperator.se, www.disperator.se

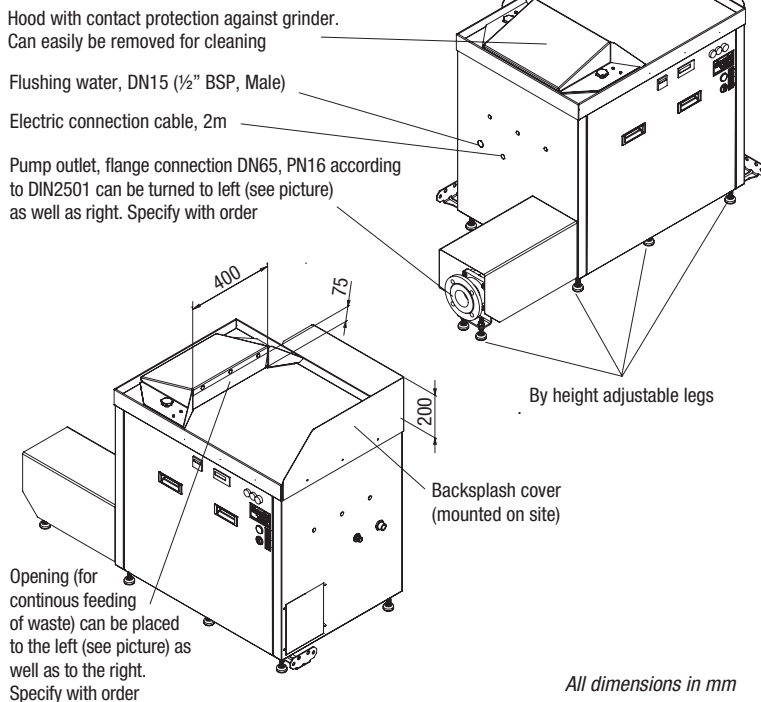
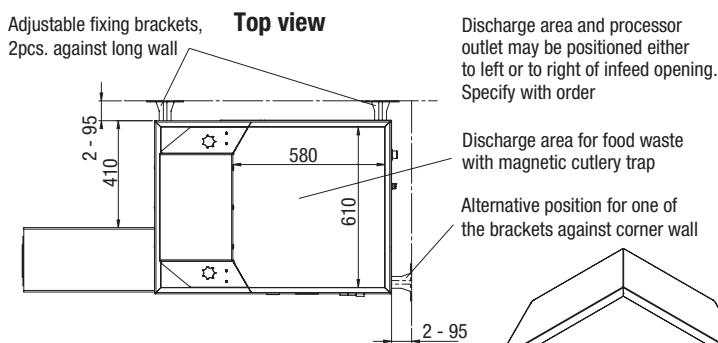
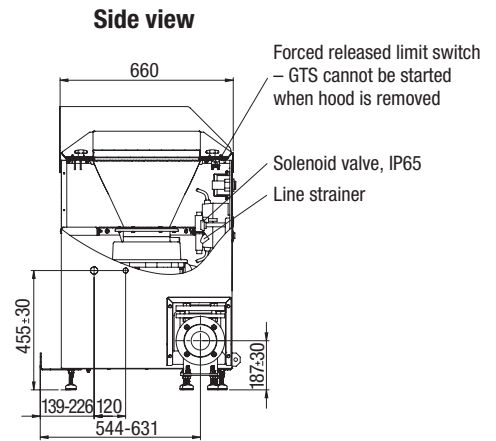
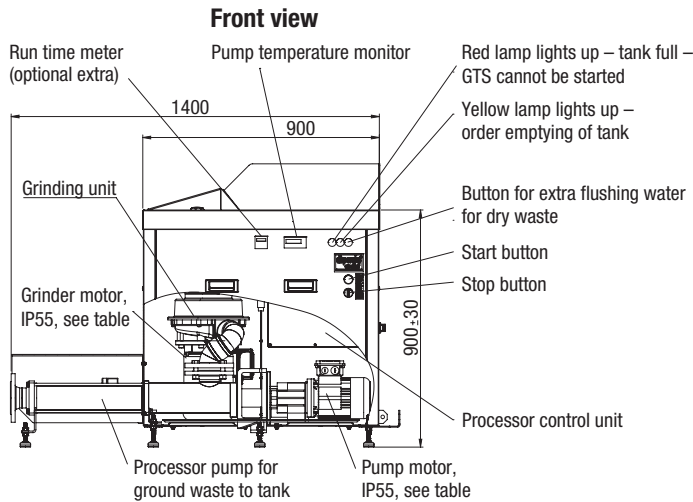


MADE IN SWEDEN

Ref.: GTS/Prod/eng/130210



DISPERATOR GTS-SERIES



All dimensions in mm

Technical Specification

Food Waste Processor

Standard capacity 15 l/min, 10 bar
- optional capacity 27 l/min, 4 bar

Electrical power, grinder motor: 2.2 kW
Electrical power, processor pump: 1.5 kW

Voltage 400V / 3-phase / 50Hz

Rated current for 400V / 3-phase / 50Hz
Grinder motor: 5.5 A
Processor pump: 3.6 A

Control voltage: 230V / 50Hz

Fuse rating, slow, 16 A

Infeed with labyrinth opening fitted with contact protection and forced released limit switch

Magnetic trap (for unwanted metal objects) included

Electrical control cabinet of processor and tank level sensor included

Drainage pipe (DN65) between food waste processor and tank. Pipes made of plastic (polyethylene) or stainless steel

Optional extras: Running time meter and flow meter

Food Waste Holding Tank

Food waste holding tank* made of polyethylene plastic or stainless steel for installation indoors, or polyethylene reinforced plastic for burying outdoors

Level sensor (overflow alarm) for monitoring when tank emptying needs to be ordered, or automatic shutdown of the equipment when the tank is full

Vent with odour trap

Slurry extraction coupling for tank emptying (D 75mm)

Manhole cover and fall guard (buried tank only)

Ground securing plates (buried tank only)

* The tank can be customised to fit tight spaces at the installation site. Various tank sizes are available.

Disperator AB

Mälurvägen 9, SE-141 71 Segeltorp, Sweden
Tel. +46 (0) 8 724 01 60, Fax +46 (0) 8 724 60 70
info@disperator.se, www.disperator.se